

# 深圳市安宝信息技术有限公司

SHENZHEN UMBO COMMUNICATION TECHNOLOGY CO., LTD.



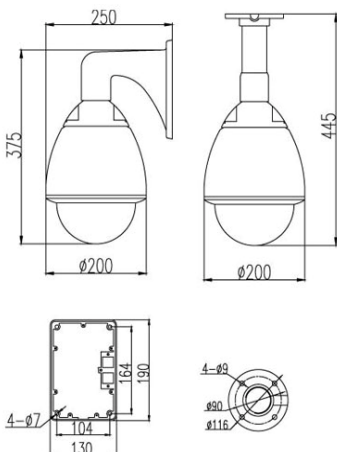
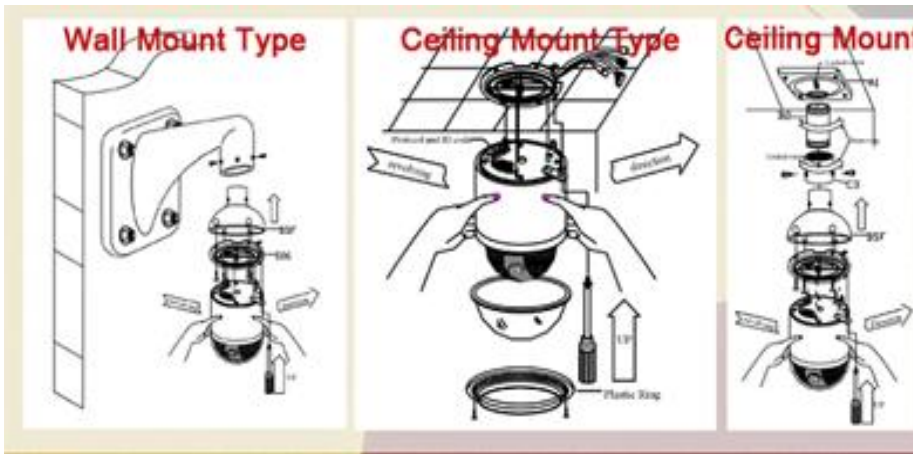
**Ceiling Mount**



**Wall Mount**



## Convenient Installation



UMBO's intellectual property, 420/480TVL chip, 30X zoom

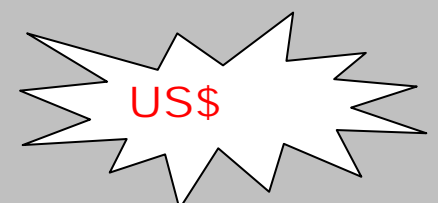
### Outdoor Speed Dome- UM-900A

CCD	Color Sony 1/4"
Resolution	420/480TVL
Illumination	0.8/0.5Lux
Lens	30X optical /3.9---89.5mm
Communication	RS 485 ,Multi-protocol
Pan range	360 °endless
Pan speed	0° ~280°/s
Tilt range	90° vertical
Tilt speed	0° ~120°/s
Alarm	7 alarm inputs / 2 output
Preset positions	220
Cruising track	4
RH	90%
Operation temperature	-35℃ ~ +55℃
Power	AC 24 V
Consumption	35 VA
Weight	4.5 KG

#### UM-900A/278B 420TVL



#### UM-900A/279B 480TVL



Double High-strength aluminum alloy housing ; acrylic dome ball ,Image lossless .